



300 In-Line CtP [Poly]



Computer to Plate Systems [Portrait Format]

Award Winning Workflow

The RIPit® *In-Line 300 is a Platemaking System for 2-up portrait format presses* which lets you output high resolution polyester plates, film and color accurate proofs. RIPit Platesetters are driven by our Award Winning OpenRIP® software, featuring the Adobe® PostScript® 3™ interpreter. RIP jobs from all your favorite Mac and Windows applications (by printing directly, or using PS, EPS and PDF files). Our In-Line CtP Systems integrate a RIPit SpeedSetter® and a Custom Vastech Plate Processor. RIPit In-Line CtP Systems are *also* available for landscape format presses.

Standard System Features:

- + **Monitor Preview** - Check page elements, colors, traps, knockouts, and overprints before you commit to media.
 - + **Adobe Accurate Screens and Agfa Balanced Screening** - Provide consistent screens and clean halftone spots.
 - + **Imagesetter Linearization & Press Dot Gain Compensation Wizards** - Takes all the guesswork out of imagesetter & press calibration.
 - + **PDF Preview** - Create low-res PDFs of RIPped files.
 - + **RasterView™** - Full output resolution preview with ink usage calculator and CIP3 support.
 - + **Custom Plate Templates** - Configure different plate settings for each press. Specify plate characteristics such as header, position, image size, and tail length, then name and save your templates to use over again.
 - + **RIPit SpeedSetter®** - The SpeedSetter® 300 series combines a very small spot size with accurate registration, and can image polyester plates and film over 250 lpi. The 300 x2 Model SpeedSetter offers twice the production speed as the 300 and additional resolution choices. (Film take-up cassette included with all x2 models).
 - + **Compact, Efficient Design** - The RIPit In-Line 300 System requires no special electrical service and takes up less than 2 square yards of floor space. The plate processor easily rolls out of the way for quick media changes and cleaning.
- Plus** - Advanced Proofing, Custom Job Queues with Drag & Drop, PDF 1.5 Support, 136 Adobe® Standard Fonts, and much more...

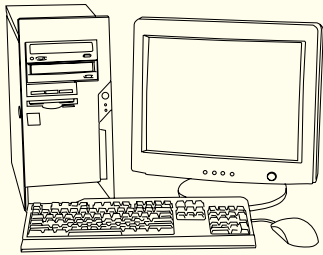
Other Available Options:

- + In-RIP Trapping with TrapZone™ + KOOLKolor™ Proofing + KoolToning™ Halftone Simulator + StripRITE™ Raster Imposition
- + OpenRIP Remote + Export Proof + TIFF-out / PS-out Drivers + PerfectBLEND™ Hybrid Screening Technology + AdvancedScan™



RIPit® Computer Corporation

Specifications ►



OpenRIP® Symphony™ Core Specs

OpenRIP (RIP) Hardware:

- Fast Pentium 4 Processor
- 40+ GB Hard Drive, 256 MB RAM
- Windows® XP Professional
- Integrated Video, Audio, 10/100 Ethernet
- RIPit PCI Imagesetter Interface Card & Cable
- CD-ROM and 3.5" Floppy Drive
- 17" Monitor, Mouse, and Keyboard

Network:

- Queues appear as printers in MacOS and Windows
- Download PS fonts and files, EPS & PDF files
- Works with Windows® 95/98/NT/ME/2000/XP
- Hot Folders feature for Windows and Mac OS X workstations
- LPR support for printing over the Internet

System Features:

- True Adobe® PostScript® 3™ Interpreter
- Monitor Preview, with Trap Preview feature
- Supports monochrome, process color, and spot color files
- Advanced Proofing Features: *Change spot colors on the printed proof; Print any combination of job colors; Reduce ink on any or all colors*
- Agfa® Balanced Screening
- Adobe Accurate Screens
- Imagesetter linearization and press dot gain compensation wizards
- Direct PostScript, EPS, and PDF printing
- Custom Plate Templates
- Page information, crop marks, targets, and color bar controls
- Custom Job Queuing (ticketing) with drag & drop
- PDF 1.5 Support
- PDF Preview
- Raster View, full output resolution preview with ink usage calculator and CIP3 support
- 136 Adobe® PostScript® 3™ Standard Fonts

Optional Features:

- Adobe® In-RIP Trapping with TrapZone™
- StripRITE™ Imposition
- RIPit KOOLKolor™ Inkjet Proofing System
- RIPit KoolToning™ Inkjet Halftone Simulator
- AdvancedScan™ Scan to Plate
- PerfectBLEND™ Hybrid Screening Technology
- TIFF-out and PS-out Drivers
- OpenRIP Remote, Remote Workstation RIP Control
- Export Proof, save, preview and email raster files directly from OpenRIP.

Color Inkjet Printer and Plotter Drivers

Epson - Stylus Color 1520, 3000, Stylus Pro 4000, 5000, 5500, 7000, 7500, 7600, 9000, 9500, 9600, 10000, 10600.
 HP - DesignJet 10ps, 20ps, 30, 50ps, 120, 130, 2000, 3000, 5000, 5500. Canon BJC8500, ImagePROGRAF W2200, W7200, W7250. Encad - Chroma 24, Novajet 1, 2, 3, 4, Pro, ProE, Pro 50, 500, 600, 630, 700.

RIPit® In-Line 300 Specifications

SpeedSetter® x1 (imagesetter)

- Virtual Drum™ recorder
- .0005" repeatability over 4 plates
- Consistent screens across entire page
- 10 Micron Spot Size at 2400 dpi
- Dual resolution: 1200 and 2400 dpi
- Clean halftone dots and sharp lines
- 12.40" x 18.75" live image area (plate)
- 12.50" x 18.75" live image area (film)
- Plate size: 13.30" x 20.00" maximum
- Desktop size 34.5" W x 16" H x 14.5" D
- Weight: SpeedSetter 90lbs. Combined 353lbs.
- System Power: 120 V, 15 amps

Plate Processor

- Vastech three bath (22.5" W x 30.5" deep) with automatic fan dryer*
- Straight media path
- Easy rollaway cleaning
- In-line bridge and stands
- Film and take-up cassette optional

*Optional Heat Dryer available

RIPit® In-Line 300 x2 Specifications

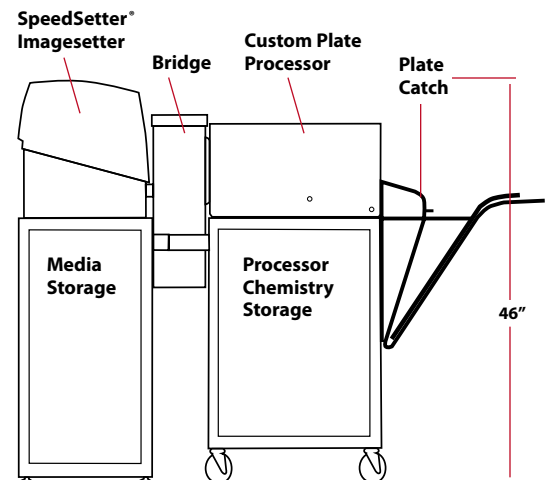
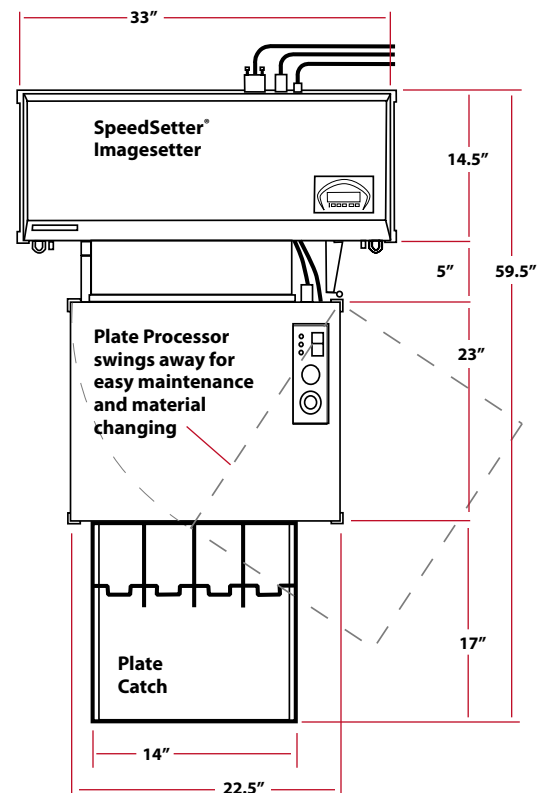
SpeedSetter® x2 (imagesetter)

- Virtual Drum™ recorder, x2 output speed
- .0005" repeatability over 4 plates
- Consistent screens across entire page
- 10 micron spot size at 2000+ dpi
- Resolutions: 1000, 1200, 2000, 2400, 3000, 4000 dpi
- Clean halftone dots and sharp lines
- 12.40" x 18.75" live image area (plate)
- 12.50" x 18.75" live image area (film)
- Plate size: 13.30" x 20.00" maximum
- Desktop size 34.5" W x 16" H x 14.5" D
- Weight: SpeedSetter 90lbs. Combined 353lbs.
- Film take-up cassette included
- System Power: 120 V, 15 amps

Plate Processor

- Vastech three bath (22.5" W x 30.5" deep) with automatic fan dryer*
- Straight media path
- Easy rollaway cleaning
- In-line bridge and stands

*Optional Heat Dryer available



Local Dealer



RIPit® Computer Corporation

7920 Alta Sunrise Drive, Suite 250
 Citrus Heights, California 95610
 phone: 916-962-7050 fax: 916-962-7053
www.ripit.com

© 1993-2005 RIPit Corporation. All rights reserved. OpenRIP, RIPit, the RIPit logo, SpeedSetter, KOOLKolor, KoolToning, StripRITE, PerfectBLEND, AdvancedScan, RasterView and TrapZone are trademarks of RIPit® Computer Corporation. Agfa and Balanced Screening are registered trademarks of Agfa Corporation. Adobe, Postscript 3, and Accurate Screens are registered trademarks of Adobe Systems. Epson and Stylus are registered trademarks of Epson Corp. Hewlett Packard DesignJet and LaserJet are registered trademarks of Hewlett Packard. Windows XP Professional is a registered trademark of Microsoft Corp. Intel Pentium is a registered trademark of Intel Corporation. Canon and ImagePROGRAF are registered trademarks of Canon, Inc. Macintosh and MacOS-X are registered trademarks of Apple Computers. All other company and product names are trademarks or registered trademarks of their respective owners. Prices and Equipment Specifications subject to change without notice. All hardware carries a limited warranty. OpenRIP software carries a 90 day warranty with optional extended support contracts for both.